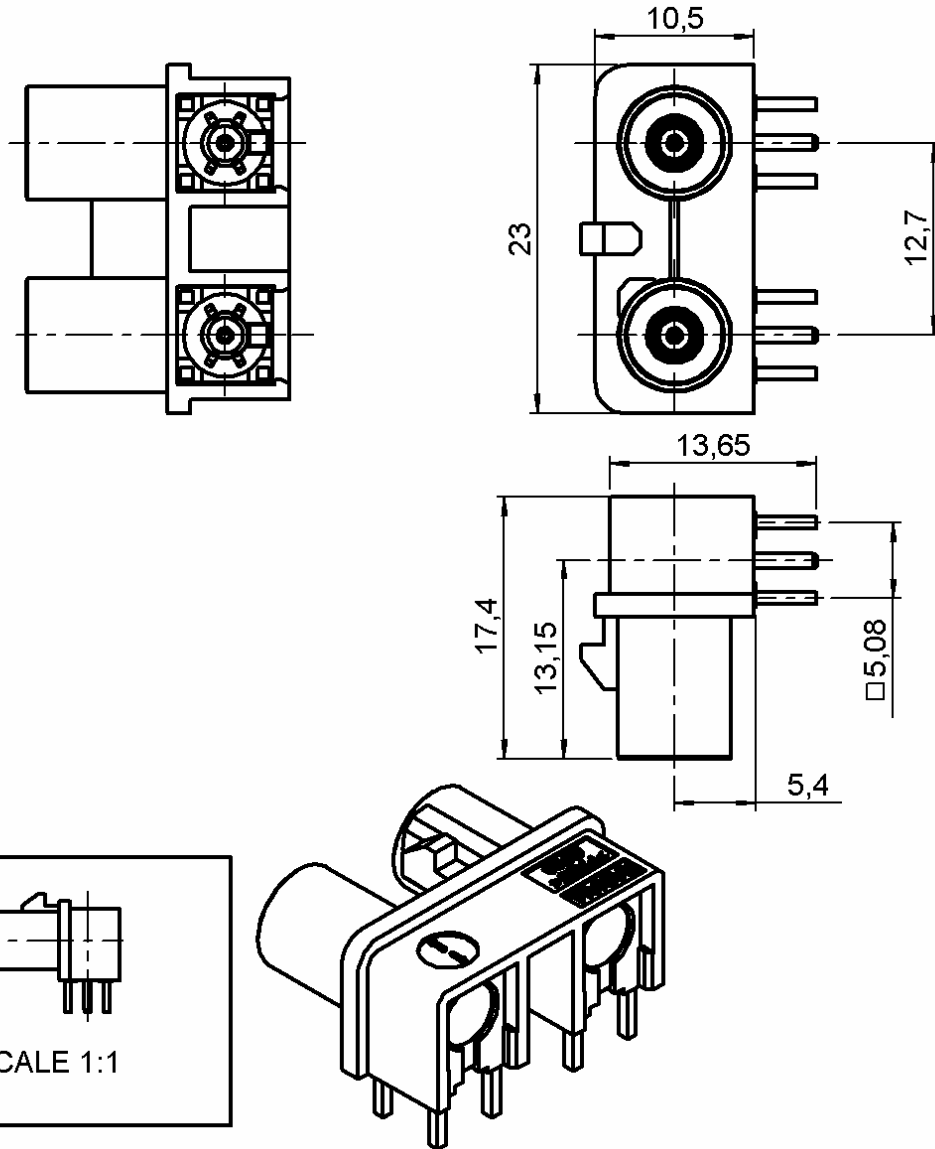


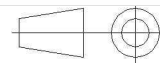
RIGHR ANGLE MALE DUPLEX RECEPTACLE

R197.260.E00

Series : **SMB**
CARLOCK



All dimensions are in mm.



COMPONENTS	MATERIALS	PLATINGS (µm)
BODY	BRASS	NICKEL 2
CENTER CONTACT	BRASS	GOLD OVER NICKEL
OUTER CONTACT	-	-
INSULATOR	PTFE	-
GASKET	-	-
OTHERS PARTS	BRASS	BBR 2
-	-	-
HOUSING	PA 6.6 30% GF	-

UL CLASSIFICATION: UL 94 V-2

COLOR: GREEN (RAL 6002) For coding E*

Issue : 0213 A

In the effort to improve our products, we reserve the right to make changes judged to be necessary.



RIGHR ANGLE MALE DUPLEX RECEPTACLE

R197.260.E00

Series : **SMB**
CARLOCK

PACKAGING

SPECIFICATION

Standard	Unit	Other
50	'W' option	Contact us

-

ELECTRICAL CHARACTERISTICS

ENVIRONMENTAL

Impedance	50	Ω
Frequency	0.2	GHz
VSWR	1.2 + 0.000	x F(GHz) Maxi
Insertion loss	0.25	$\sqrt{F(GHz)}$ dB Maxi
RF leakage	- (-)	- F(GHz)) dB Maxi
Voltage rating	335	Veff Maxi
Dielectric withstanding voltage	1000	Veff mini
Insulation resistance	1000	M Ω mini

Operating temperature	-40/+110	$^{\circ}$ C
Hermetic seal	NA	Atm.cm3/s
Panel leakage	NA	

OTHERS CHARACTERISTICS

Assembly instruction

Others :

*According to FAKRA specification

MECHANICAL CHARACTERISTICS

Center contact retention		
Axial force – Mating end	10	N mini
Axial force – Opposite end	10	N mini
Torque	NA	N.cm mini
Recommended torque		
Mating	NA	N.cm
Panel nut	NA	N.cm
Mating life	100	Cycles mini
Weight	6.500	g

Issue : 0213 A

In the effort to improve our products, we reserve the right to make changes judged to be necessary.

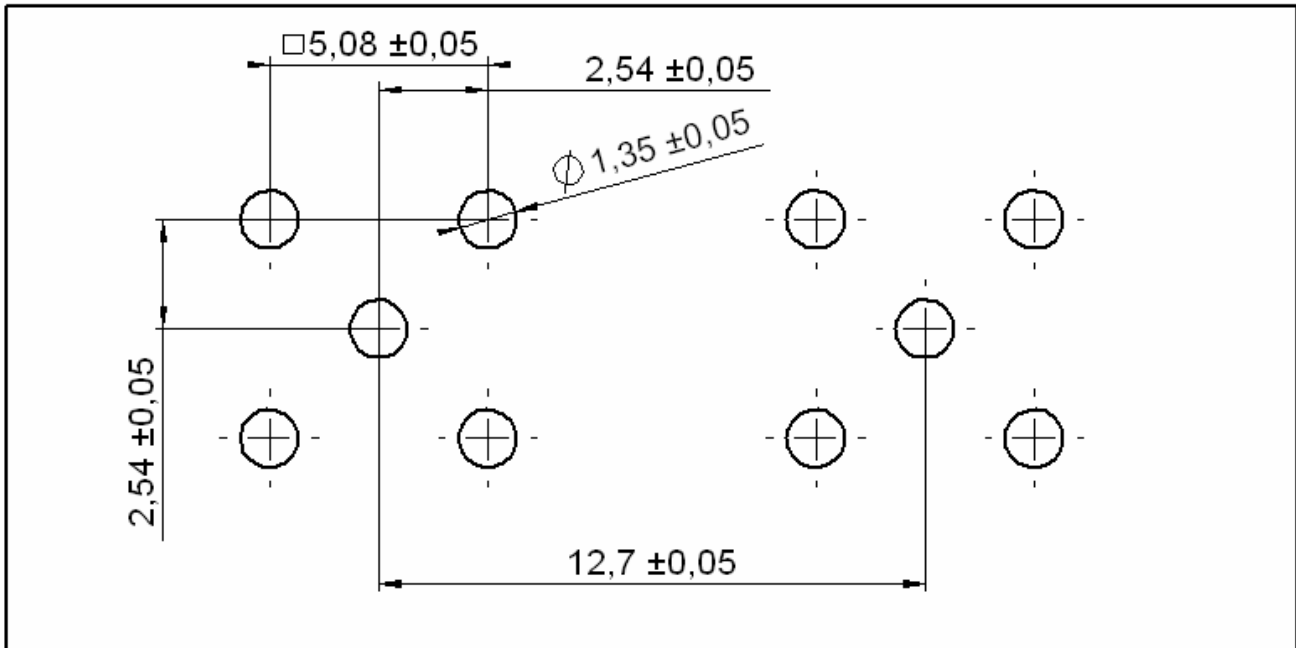


RIGHR ANGLE MALE DUPLEX RECEPTACLE

R197.260.E00

Series : SMB
CARLOCK

RECOMMENDED PCB PATTERN



Use a actived flux for PCB legs solder

Issue : 0213 A

In the effort to improve our products, we reserve the right to make changes judged to be necessary.

